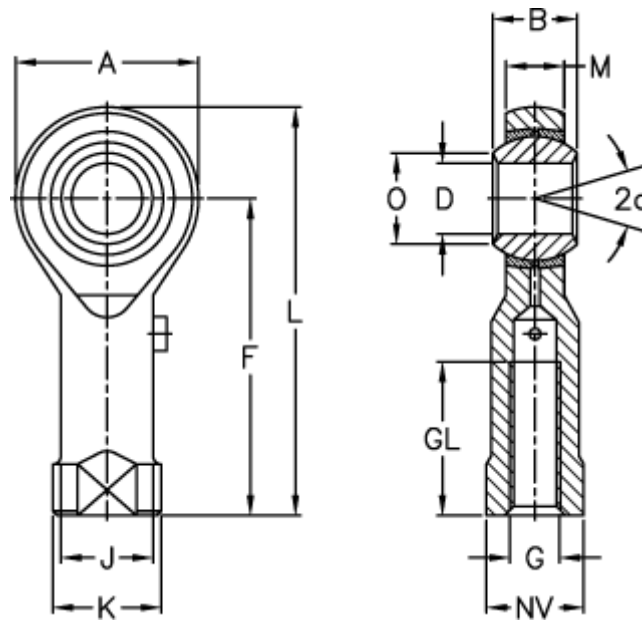


Data Sheet



Article number: 54301416
 Description: LDK Rod end PHS 16L
 Threaded left

Measures



| | | | |
|---------------------|--------|---------------------|---------|
| A | = 38 | J | = 22.0 |
| a (degrees) | = 15 | K | = 27 |
| B | = 21 | L | = 83 |
| D | = 16 | M | = 15.00 |
| Dynamic load C (kN) | = 16.0 | NV | = 24 |
| F | = 64 | O | = 19.30 |
| g | = M16 | Static load C0 (kN) | = 36.0 |
| GL | = 33 | Weight (g) | = 210.0 |